

## Whitening/Shelling Machine

Vertical Whitening/Shelling Machine  
RSM VERTI 305



Three-fold module representing  
three whitening/shelling passes

# Vertical Whitening/Shelling Machine

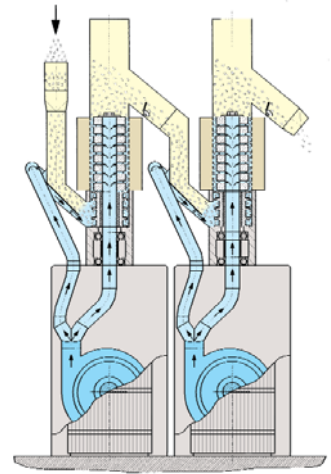
## RSM VERTI 305 (patented)

### Function

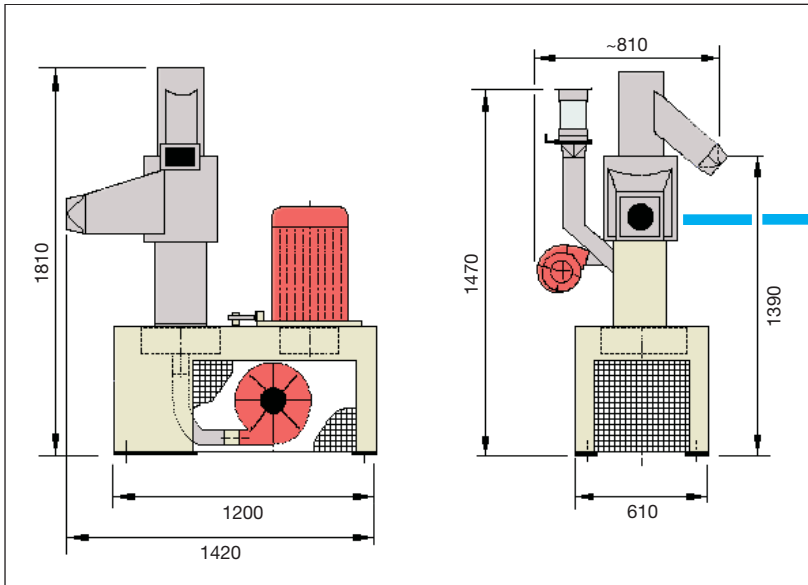
The RSM VERTI 305 is available with friction or alternatively abrasive whitening/shelling system.

The octagonal screen cage with respective ridged cylinder (friction system) can be interchanged by a round screen cage and emery discs (abrasive system). The machine whitens/husk from bottom to top and works only against gravitational force.

The product feed is boosted by a ventilator, ensuring gentle handling of the product. A high capacity ventilator enhances bran removal, cooling down the product during the whitening/shelling process. The bran/husk is removed and conveyed by a central pneumatic system.

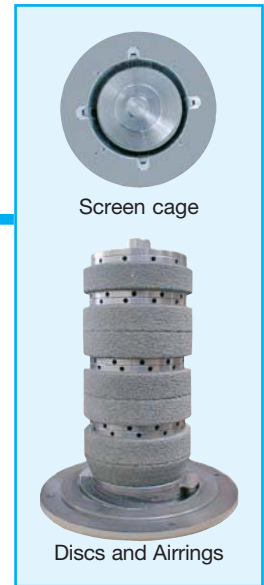


### Technical Data:



### Friction Whitener/Sheller

### Abrasive Whitener/Sheller (Alternative)



Type	Capacity*	Motor ratings			Pneumatical bran/husk removal		Net weight	Gros weight	Volume weight
		Main drive kW	Ventilator kW	Ventilator kW	m <sup>3</sup> /min	daPa.			
<b>RSM VERTI 305</b>	up to 2500 kg/h	22.0	1.1	0.07	20-30	150	abt. 600 kg	abt. 700 kg	abt. 2.5 m <sup>3</sup>

\*The capacity depends on required whitening/shelling degree, rice variety and quality/uniformity of products. We reserve the right to deviate from illustrations and data as improvements are constantly being made.



**F. H. SCHULE Mühlenbau GmbH**

Dieselstraße 5-9  
D - 21465 Reinbek / Hamburg  
Phone: +49 (0)40 7 27 71 - 0  
Fax: +49 (0)40 7 27 71 - 710

schule@amandus-kahl-group.de

[www.schulefood.de](http://www.schulefood.de)

