

**DO
MORE
TODAY
WITH
BOTTENE**



Cross Cut Saws

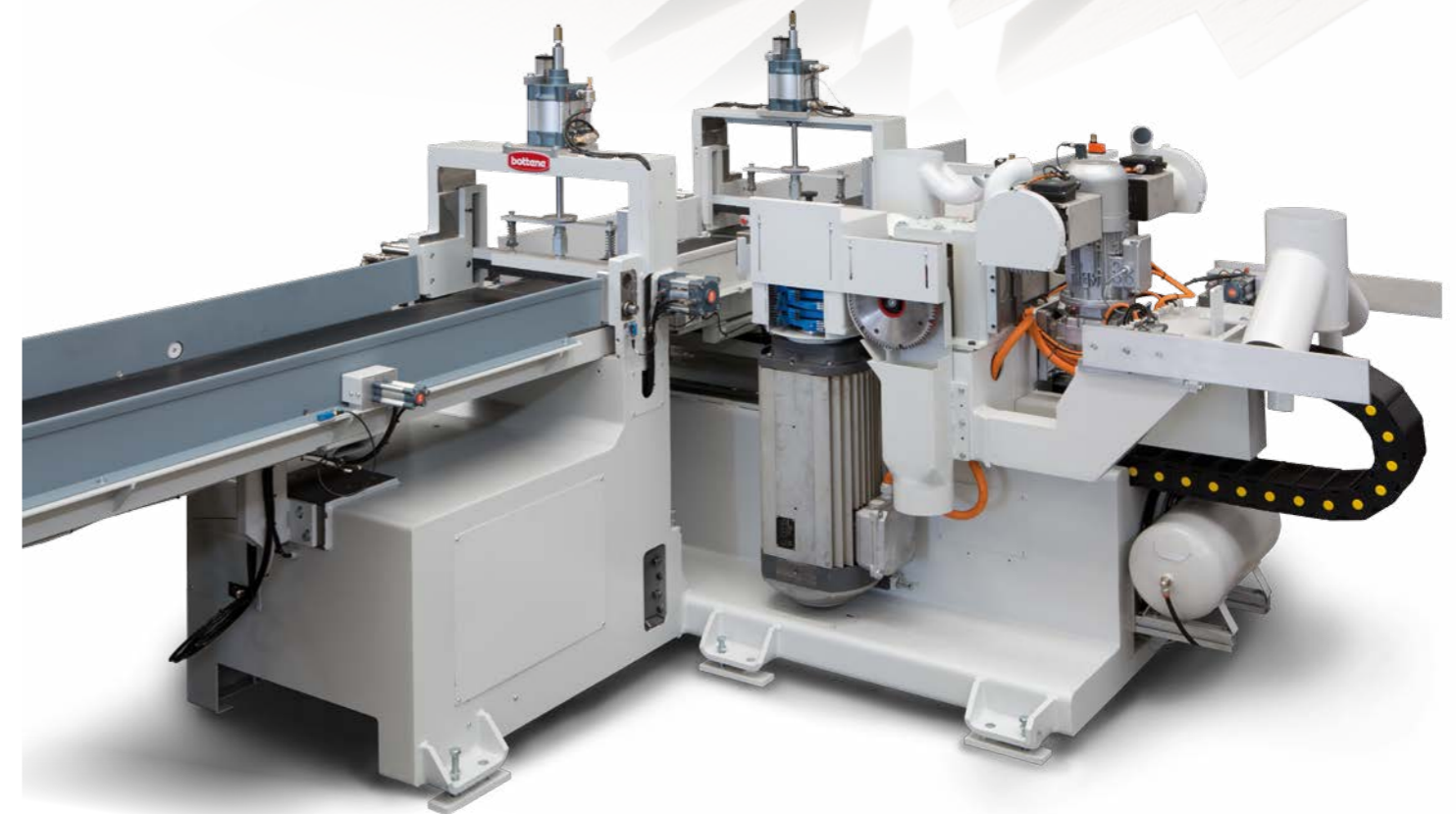
Scanners

Automation

Finger Jointers

Planers & moulders

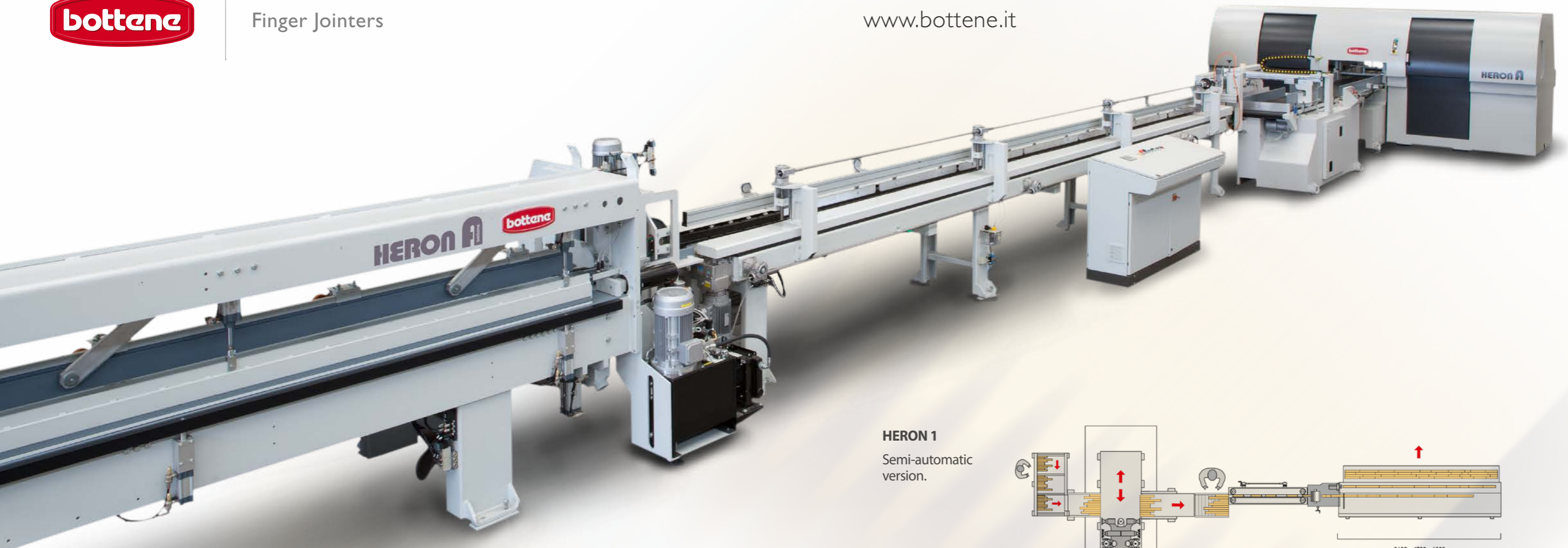
HERON



Bottene srl
Via Emilia Romagna 24
36015 Schio • Vicenza • Italy
tel. +39 0445 500159
Fax +39 0445 579700
bottene@bottene.it

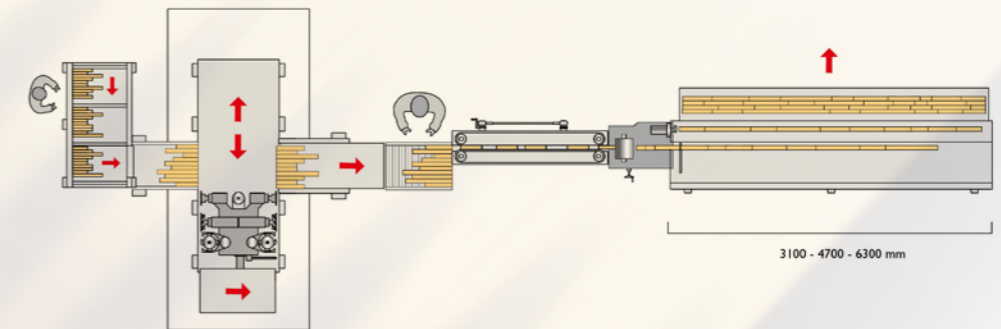
www.bottene.it

DO MORE TODAY WITH BOTTENE



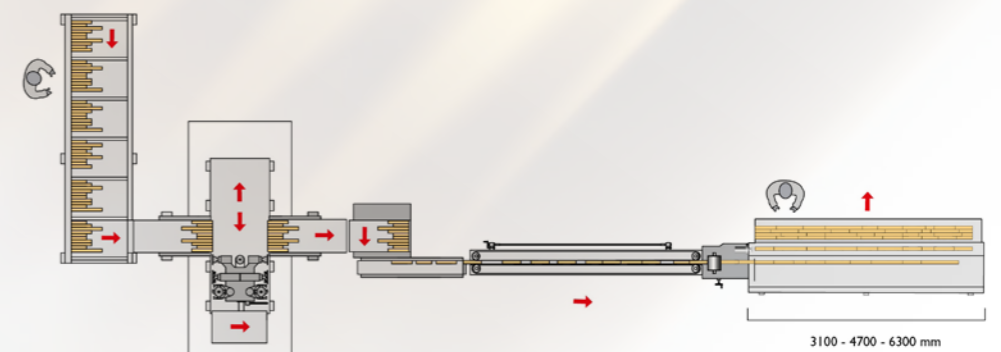
HERON 1

Semi-automatic version.



HERON 2

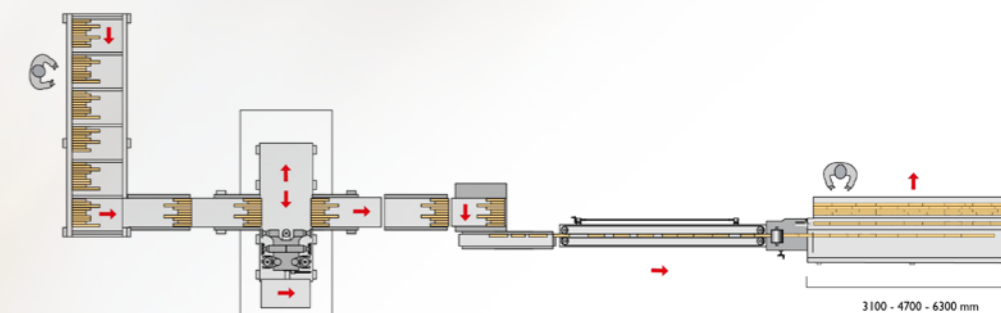
Fully automated version.



HERON 3

High productivity version.

Size material:
Standard section of workpieces: min. 40x20mm., max. 205x80mm.
Processable pack section: 600x205mm (250mm. on request)



HERON

Finger-jointing technology makes it possible to create stable elements of any size even using boards of minimum length. First of all the knots and other undesired defects are removed from the wood by our high-speed cross-cutting systems that use scanner technology for detecting all the characteristics of the wood.

HERON is a pack jointing line with two milling units for large batches. Speed, fully automated controls, and large production volumes place Heron at the highest market levels.

- Finger-joint technology is normally used for making:
- Wooden houses using the block house, frame or Xlam-CLT panel system.
 - Lamellar/plywood beams
 - Panels for the building industry
 - Furnishing for interiors and exteriors

Bottene Engineering designs and builds complete plants for high-quality plywood/lamellar wood and for any need or sector.